

Redilight Spectra Light Driver

Model No.

RSD001-B, RSD001-RC

The Redilight Spectra Driver is designed using the highest quality components ensuring reliability, efficiency and overall superior performance. It converts unregulated power from a solar panel to a regulated constant current supply for safe and reliable use with Redilight luminaires.

The driver is factory set to drive a 24 watt load but may also be configured by the installer to drive 12, 36, or 48 W light loads.

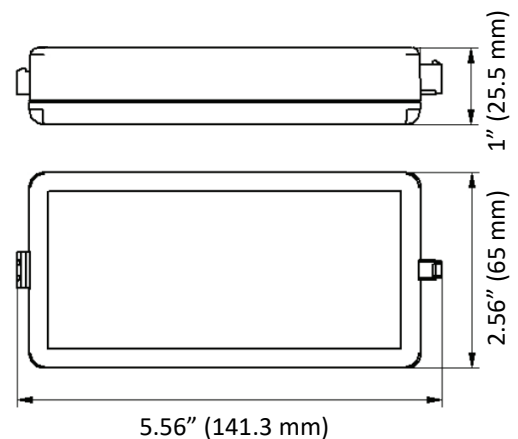
Specifications

Type	Constant current regulator
Total Consumption	27-50 watts
Typical Total Input Current @36VDC	390 mA-1.75 A
Fuse Type	PTC (Thermal Resettable Fuse)
Optional Power Settings	12, 24, 36, and 48 watt
Ambient Operating Temp	14~122°F (-10~50°C)
Enclosure	ABS Plastic
Dimensions L x W x H	5.12"x2.56"x0.98" (160x65x2.5mm)
Certification	UL Certified
Input Voltage Range	30~40 V DC
Max Input Voltage	50 V DC
Warranty	5 Years

Note:

Each SPECTRA driver is pre-set for a 24 watt load which controls a 24 watt light fitting, 2x12 watt lights, or 4x6 watt lights.

If a 12 or 48 watt load is required, simply reposition or remove the link which is located inside the driver.



Note: Each driver has an additional set of input terminals to allow drivers to be chained together.



Light Fitting Output



Solar Panel Input